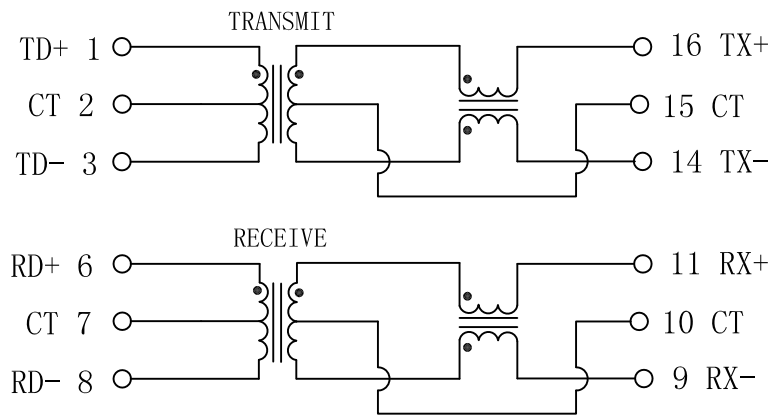


Schematic:

REV.	ECN NO.	DESCRIPTION	DATE	APPD
A	REL		2016/02/25	



Electrical Specifications @25°C

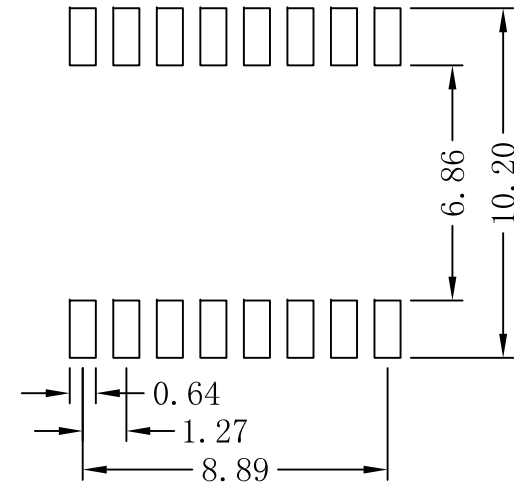
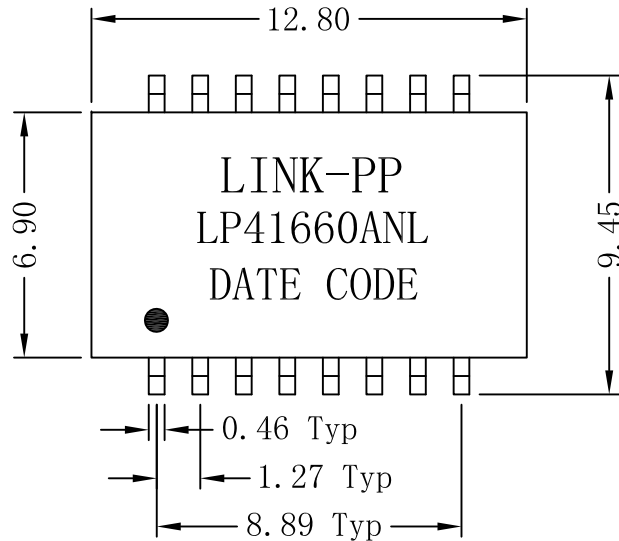
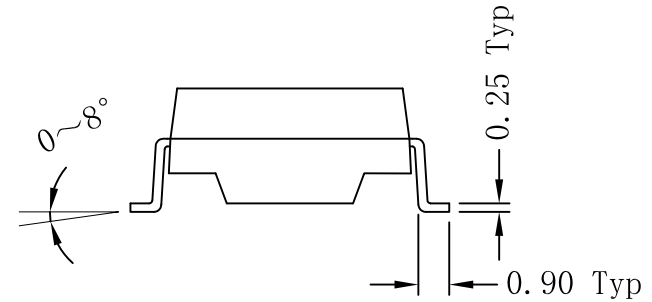
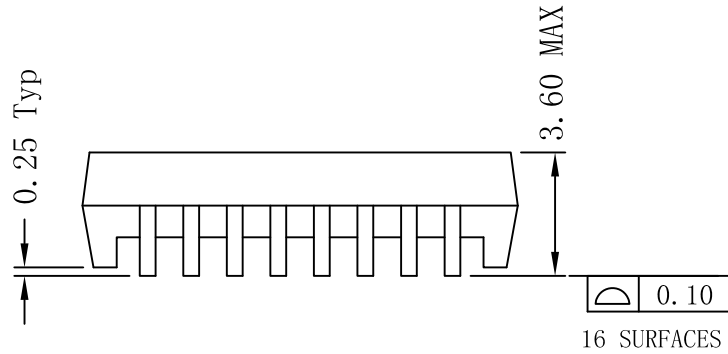
1. OCL: 350uH MIN
@100KHz, 0.1Vrms, 8mADC Bias
2. Turns Ratio:
TX=1CT : 1CT RX=1CT : 1CT
3. Insertion Loss:
0.1-100MHz:-1.1dB MAX
4. Return Loss(dB TYP):
30MHz:-20 60MHz:-14
80MHz:-11.5
5. Crosstalk(dB TYP):
30MHz:-45 60MHz:-40
100MHz:-35
6. DCMR(dB TYP):
30MHz:-42 50MHz:-37
100MHz:-33
7. Current capability: 700mA.
8. Hipot: 1500Vrms MIN
9. Operating Temperature: -40°C ~ +85°C.



X:X	APPD:	LINK-PP INT'L TECHNOLOGY CO., LIMITED
X:XX ±0.25	CHKD:	TITLE: 10/100 Base-T Single Port Transformer Modules For PoE+ Application
X:XXX	DR: TOM	PART NO.: LP41660ANL
ANGLES ±1°	UNIT: mm	
	SCALE: 2/1	SHEET: 1/2
	REV: A	DWG NO.: LP16022501

Mechanical:

REV.	ECN NO.	DESCRIPTION	DATE	APPD
A	REL		2016/02/25	



SUGGESTED PAD LAYOUT

NOTES:

1. Designed to support application, such as SOHO (ADSL modems), LAN-on-Motherboard (LOM), hub and Switches.
2. Plastic: Thermoset plastic material with flammability rating UL 94V-0 or better.
3. With various Turns Ratios.
4. RoHS "NL" peak solder rating 250°C.



Dimensions: mm

Unless otherwise specified, all tolerances are ± 0.25

X:X	APPD:	LINK-PP INT'L TECHNOLOGY CO., LIMITED		
X:XX ± 0.25	CHKD:	TITLE: 10/100 Base-T Single Port Transformer Modules For PoE+ Application		
X:XXX	DR: TOM	PART NO.: LP41660ANL		
ANGLES $\pm 1^\circ$	UNIT: mm	REV: A		
	SCALE: 2/1	SHEET: 2/2	DWG NO.:	LP16022501

Sales Department A-B2

Sales Engineer / Summer Ming - 明夏

Tel: 0086-752-3322915 Mob: 0086-180-2668-6530

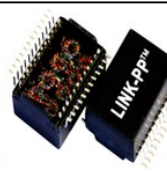
Fax: 0086-752-3161926

E-mail: Summer@link-pp.com

www.link-pp.com

LINK- PP INT'L TECHNOLOGY CO., LIMITED

Jia An Industrial Park, Chenjiang Rd, Zhongkai Hightech Zone, Huizhou City,
516003, China



LINK- PP INT'L TECHNOLOGY CO., LIMITED

Seris : LPJXXXXXXXX/ LPXXXXXXXX/ LPAXXXXXXX