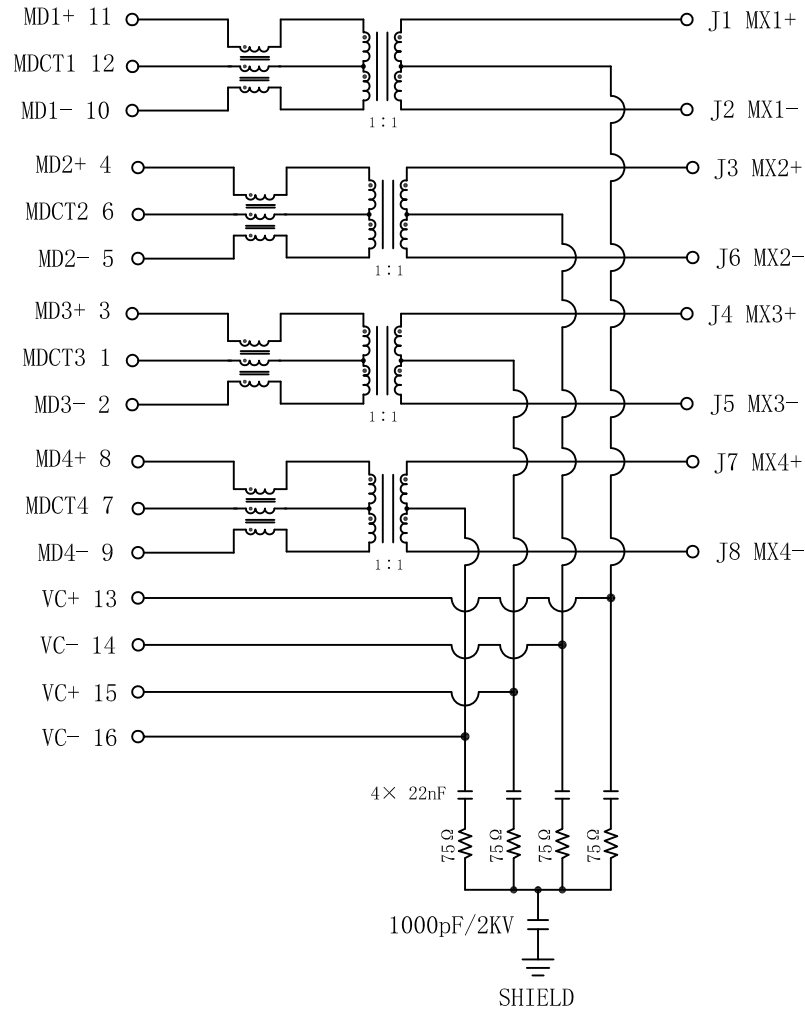


Schematic :

REV.	ECN NO.	DESCRIPTION	DATE	APPD
A	REL		2016-09-26	

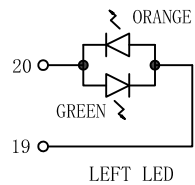
PC BOARD CONNECTIONS



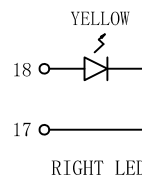
RJ45 CONNECTOR

Electrical Specifications @25°C

- Inductance: 350uH Min
@ 100KHz, 0.1V, 20mA DC BIAS
- Turns Ratio(±2%): 1CT : 1CT
- Insertion Loss:
1-100MHz:-1.0dB Max
- Return Loss(load 100 Ω):
1-30MHz:-18dB Min
30-60MHz:-16dB Min
60-80MHz:-12dB Min
80-100MHz:-10dB Min
- Crosstalk:
1-100MHz:-30dB Min
- Common Mode Rejection:
1-100MHz:-30dB Min
- Balanced DC Line Current:
720mA Max @57VDC Continuous
1.2A Max @57VDC For 200 Milliseconds.
- Hipot: 1500Vrms Min @60Hz
- Operating Temperature: -40°C ~ +85°C.



LEFT LED



RIGHT LED

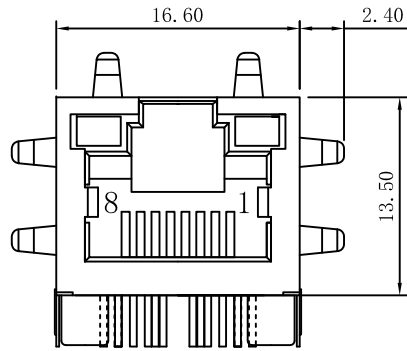


Emitting Color	λ_p (nm)	V _F @I _F =20mA	I _R @V _R =5V
ORANGE / GREEN	610 / 565	1.8~2.6V	10 μ A max
YELLOW	585	1.8~2.6V	10 μ A max

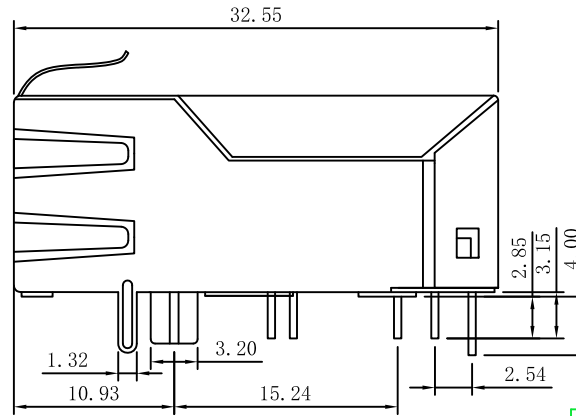
X:X ±0.30	APPD:	LINK-PP INT'L TECHNOLOGY CO., LIMITED
X:XX ±0.25	CHKD:	
X:XXX ±0.05	DR: TOM	TITLE: RJ45 Connector with 1000 Base-T Integrated Magnetics For PoE+ Application
ANGLES ±1°	UNIT: mm	PART NO.: LPJK6064AONL
	SCALE: 2/1	SHEET: 1/3
	REV: A	DWG NO.: LP16092610

Mechanical :

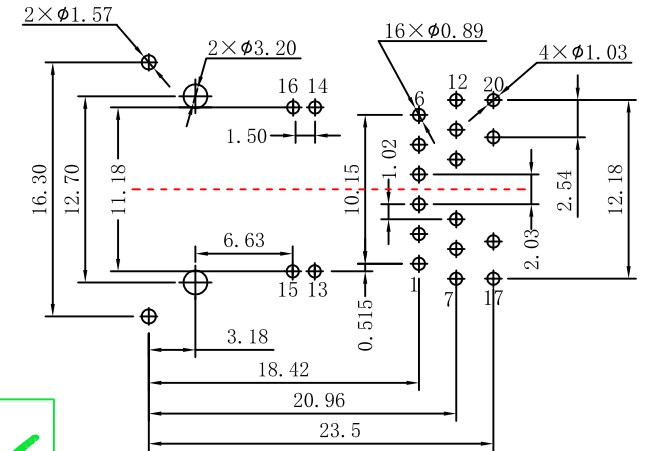
REV.	ECN NO.	DESCRIPTION	DATE	APPD
A	REL		2016-09-26	



Front Side View



Left Side View

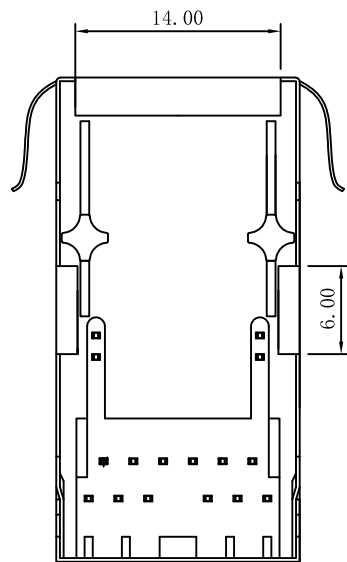


Suggested PCB Layout (Top View)



NOTES:

1. Designed to support application, such as SOHO (ADSL modems), LAN-ON-Motherboard (LOM), hub and Switches.
2. Meets IEEE 802.3at specification
3. Connector Materials:
 Housing Material: Thermoplastic PBT+30%G.F UL94V-0
 Contact Material: Phosphor Bronze C5210R-EH Thickness=0.35mm
 Pins: Brass C2680R-H Thickness=0.35mm
 Shield: Copper alloy Brass H65Y Thickness=0.2mm
 Contact plating: Gold 6 micro-inches min. In contact area.
4. Wave solder tip temperature: 265°C Max, 5 Sec.
5. UL Certification: File Number E484635.



Bottom Side View

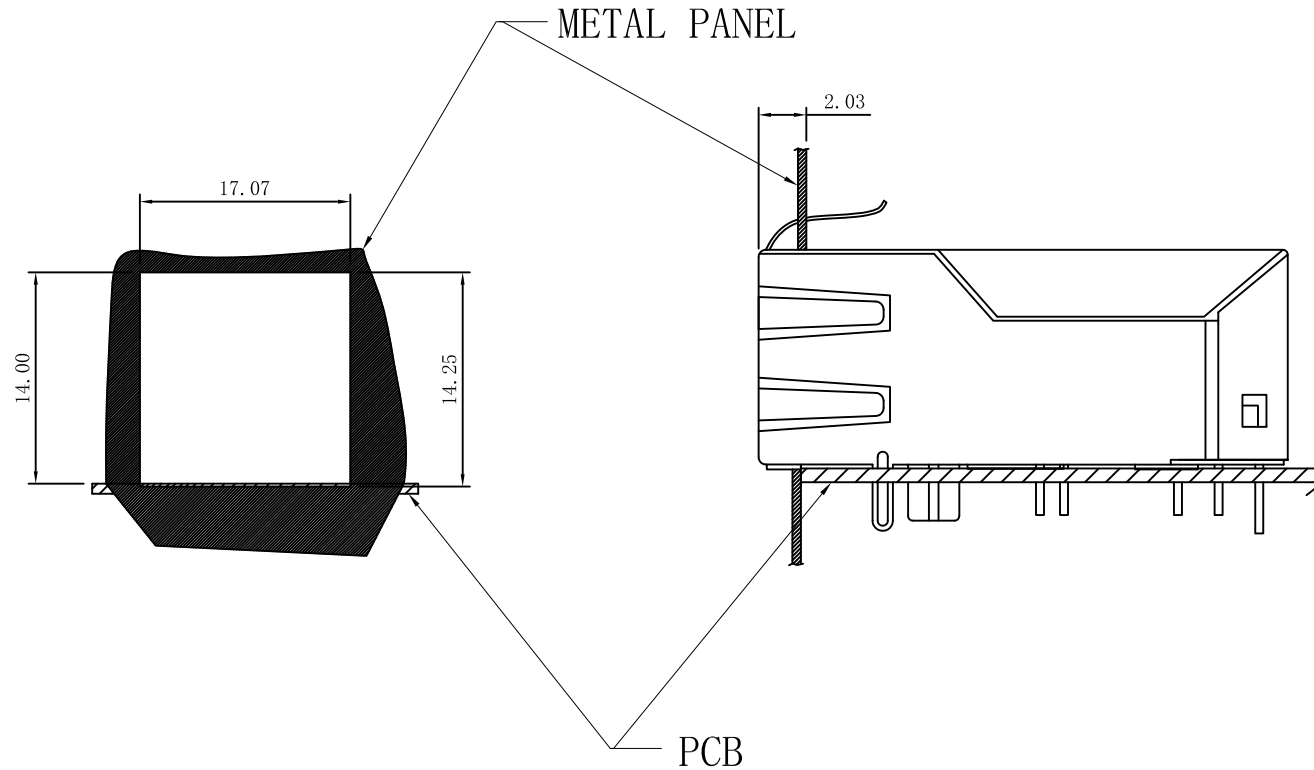


Top Side View

X:X ±0.30	APPD:	LINK-PP INT'L TECHNOLOGY CO., LIMITED
X:XX ±0.25	CHKD:	
X:XXX ±0.05	DR: TOM	TITLE: RJ45 Connector with 1000 Base-T Integrated Magnetics For PoE+ Application
ANGLES ±1°	UNIT: mm	PART NO.: LPJK6064A0NL
	SCALE: 2/1	SHEET: 2/3
	REV: A	DWG NO.: LP16092610

Suggested Panel Cutout

REV.	ECN NO.	DESCRIPTION	DATE	APPD
A	REL		2016-09-26	



X:X ±0.30	APPD:	LINK-PP INT'L TECHNOLOGY CO., LIMITED
X:XX ±0.25	CHKD:	
X:XXX ±0.05	DR: TOM	TITLE: RJ45 Connector with 1000 Base-T Integrated Magnetics For PoE+ Application
ANGLES ±1°	UNIT: mm	PART NO.: LPJK6064AONL
	SCALE: 2/1	SHEET: 3/3
	REV: A	DWG NO.: LP16092610