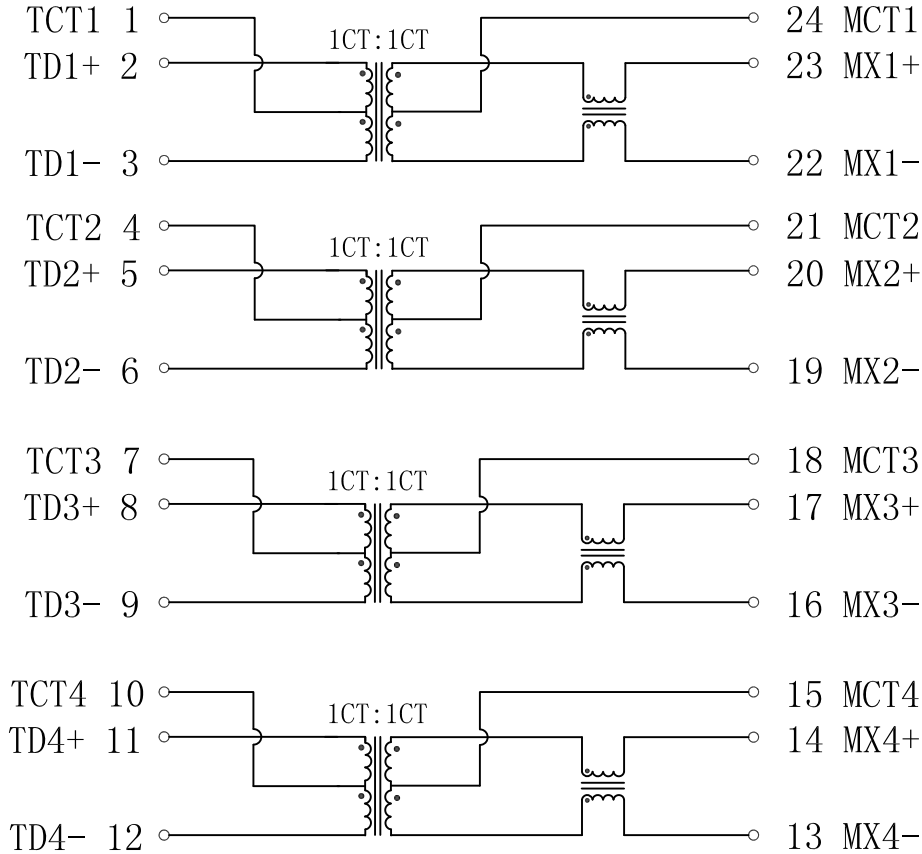


Schematic:

REV.	ECN NO.	DESCRIPTION	DATE	APPD
A	REL		2010/10/21	



Electrical Specifications @25°C

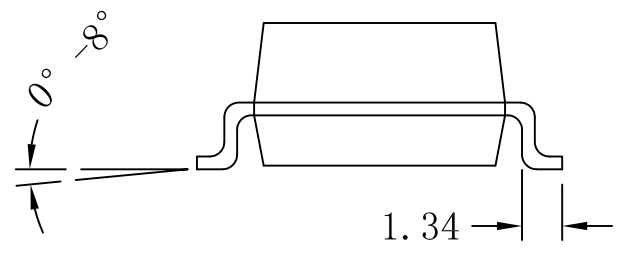
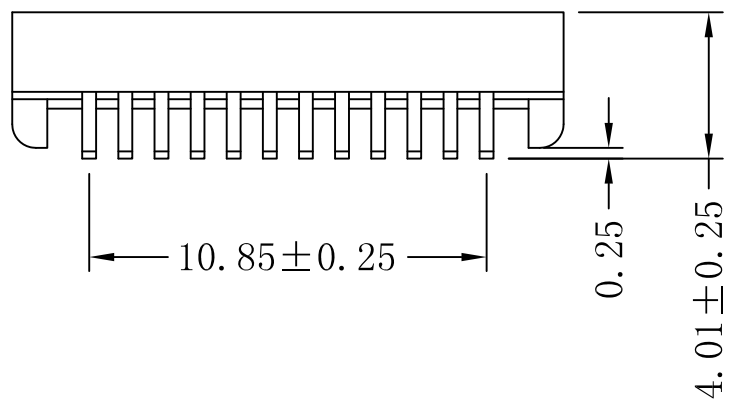
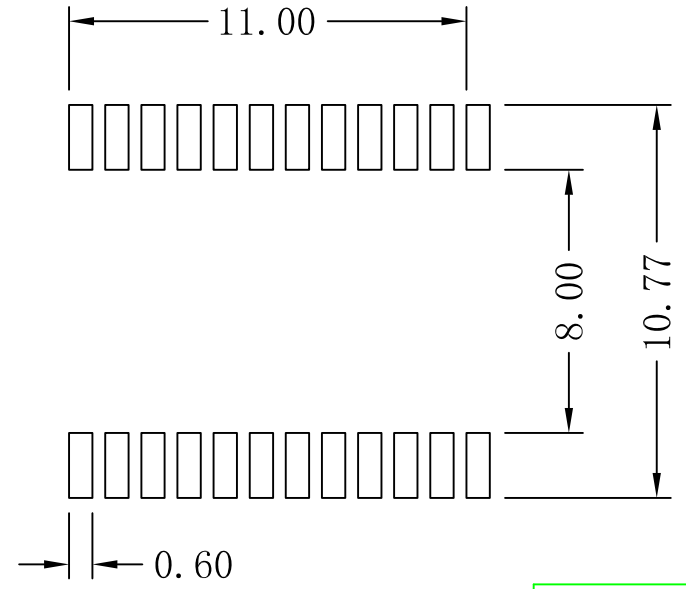
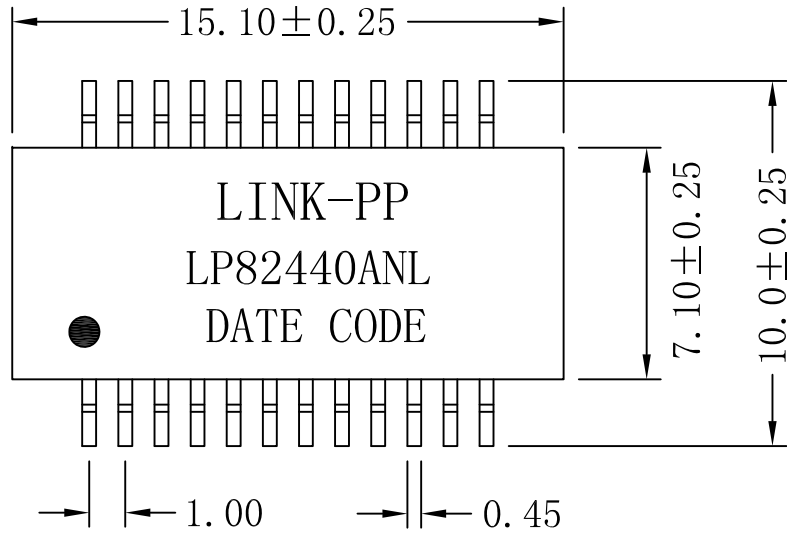
- Turn Ratio (TX/RX):
Pri:Sec=1CT:1CT $\pm 5\%$
- Inductance OCL:
350uH Min, 100KHz/0.1V 8mA DC BLAS
- Insertion Loss:
1-100MHz:-1.0dB Max
- Return Loss:
1-30MHz:-18dB Min
40MHz:-14.4dB Min
50MHz:-13.1dB Min
60-80MHz:-12dB Min
- Crosstalk:
30MHz:-45dB Min
60MHz:-40dB Min
100MHz:-35dB Min
- DCMR:
30MHz:-40dB Min
60MHz:-35dB Min
100MHz:-30dB Min
- Isolation Voltage: 1500Vrms
- Operating Temperature: $-40^{\circ}\text{C} \sim +85^{\circ}\text{C}$.



X:X	± 0.30	APPD:	LINK-PP INT'L TECHNOLOGY CO., LIMITED	
X:XX	± 0.25	CHKD:	TITLE:	
X:XXX	± 0.05	DR: TOM	1000Base-T Magnetics Modules	
ANGLES	$\pm 1^{\circ}$	UNIT: mm	PART NO.: LP82440ANL	
	SCALE: 2/1	SHEET: 1/2	REV: A	DWG NO.: LP10102102

Mechanical:

REV.	ECN NO.	DESCRIPTION	DATE	APPD
A	REL		2010/10/21	



NOTES

1. DESIGNED FOR GIGABIT TRANSCEIVERS
2. PEAK REFLOW TEMPERATURE RATING 260°C
3. MAGNETICS, DESIGNED FOR GIGABIT PHY USED IN BACKPLANE
4. COMPLIANT WITH IEEE 802.3AB STANDARD

X:X	±0.30	APPD:	LINK-PP INT'L TECHNOLOGY CO., LIMITED	
X:XX	±0.25	CHKD:	TITLE:	
X:XXX	±0.05	DR: TOM	1000Base-T Magnetics Modules	
ANGLES	±1°	UNIT: mm	PART NO. : LP82440ANL	
	SCALE: 2/1	SHEET: 2/2	REV: A	DWG NO. : LP10102102

Sales Department A-B2

Sales Engineer / Summer Ming - 明夏

Tel: 0086-752-3322915 Mob: 0086-180-2668-6530

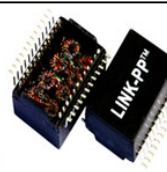
Fax: 0086-752-3161926

E-mail: Summer@link-pp.com

www.link-pp.com

LINK- PP INT'L TECHNOLOGY CO., LIMITED

Jia An Industrial Park, Chenjiang Rd, Zhongkai Hightech Zone, Huizhou City,
516003, China



LINK- PP INT'L TECHNOLOGY CO., LIMITED

Seris : LPJXXXXXXXX/ LPXXXXXXXX/ LPAXXXXXXX